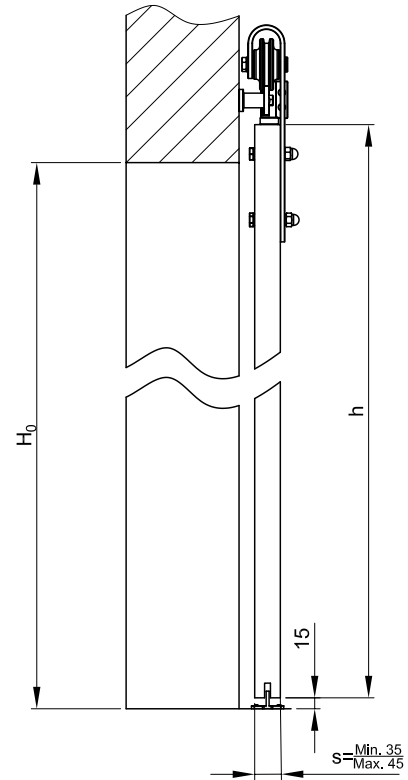
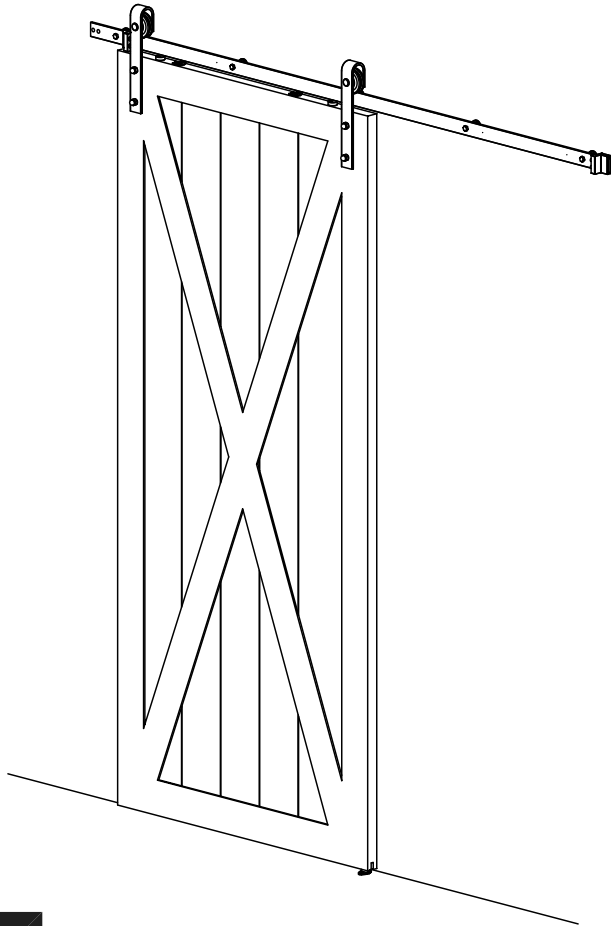
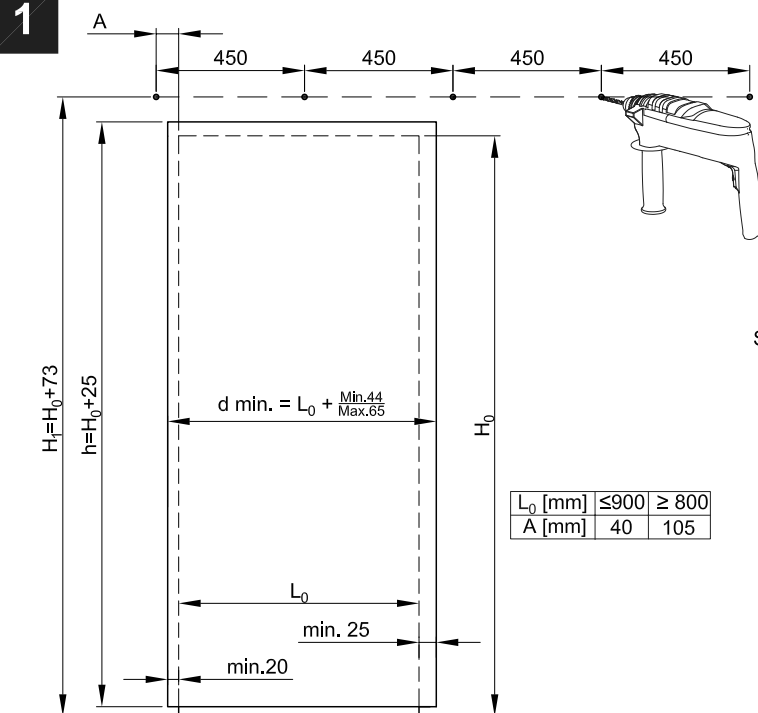




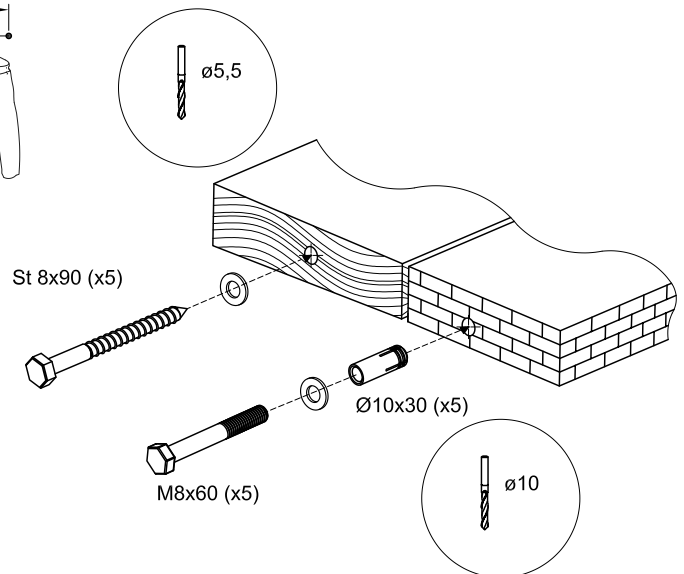
- x1
- x2
- x5
- x2
- x2
- x1
- x4
- M10
- M10x60
- M10x55
- x4
- x4
- St8x90
- x5
- M10x30
- M8x60
- x5
- St4,2x25
- Ø6x30
- x2
- 100 KG



**1**

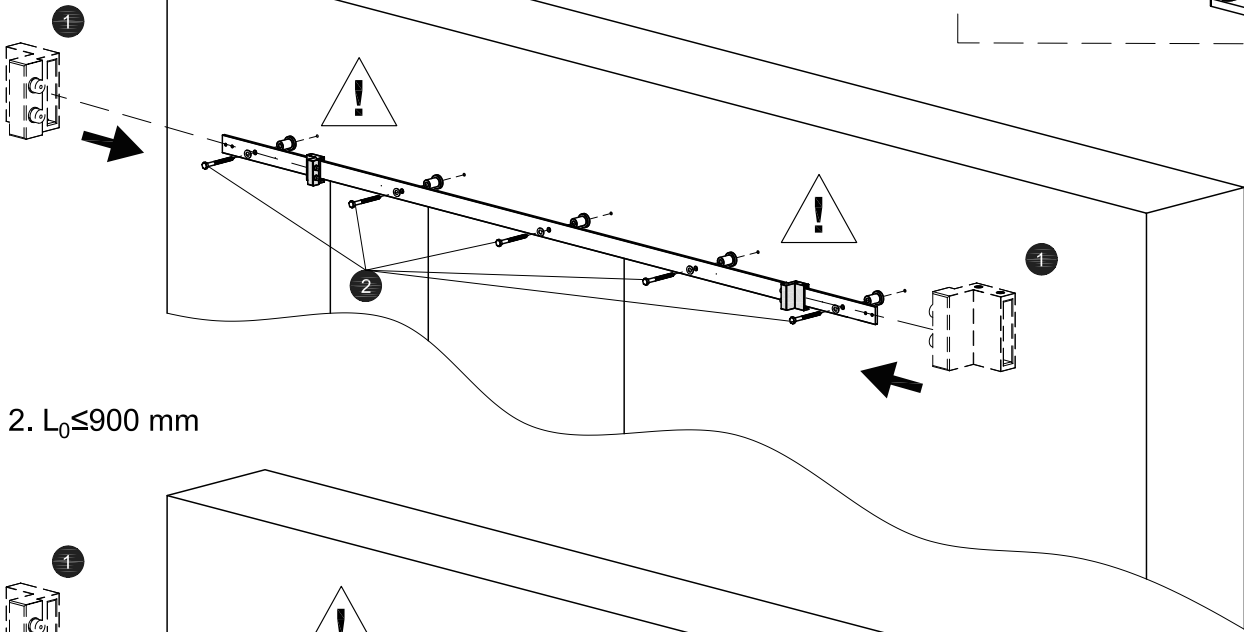
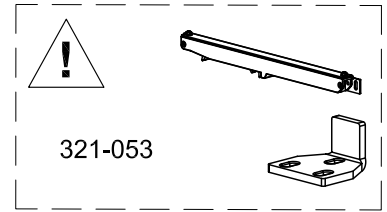


$L_0$ [mm]	$\leq 900$	$\geq 800$
$A$ [mm]	40	105

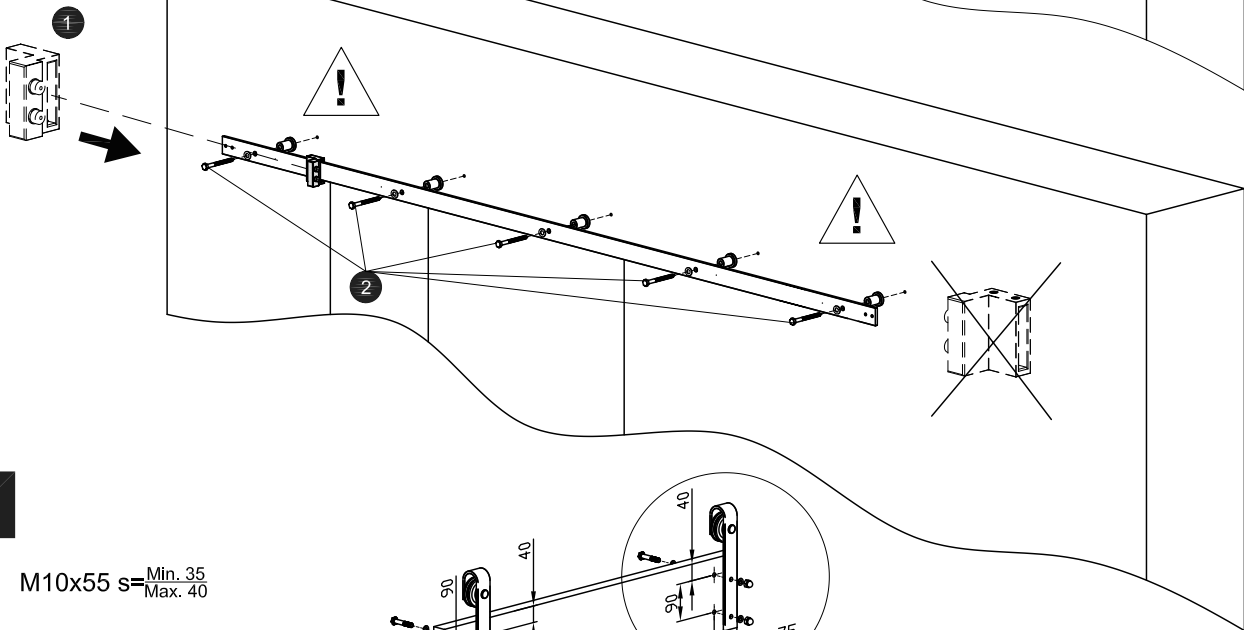


1.  $L_0 \geq 800$  mm

2



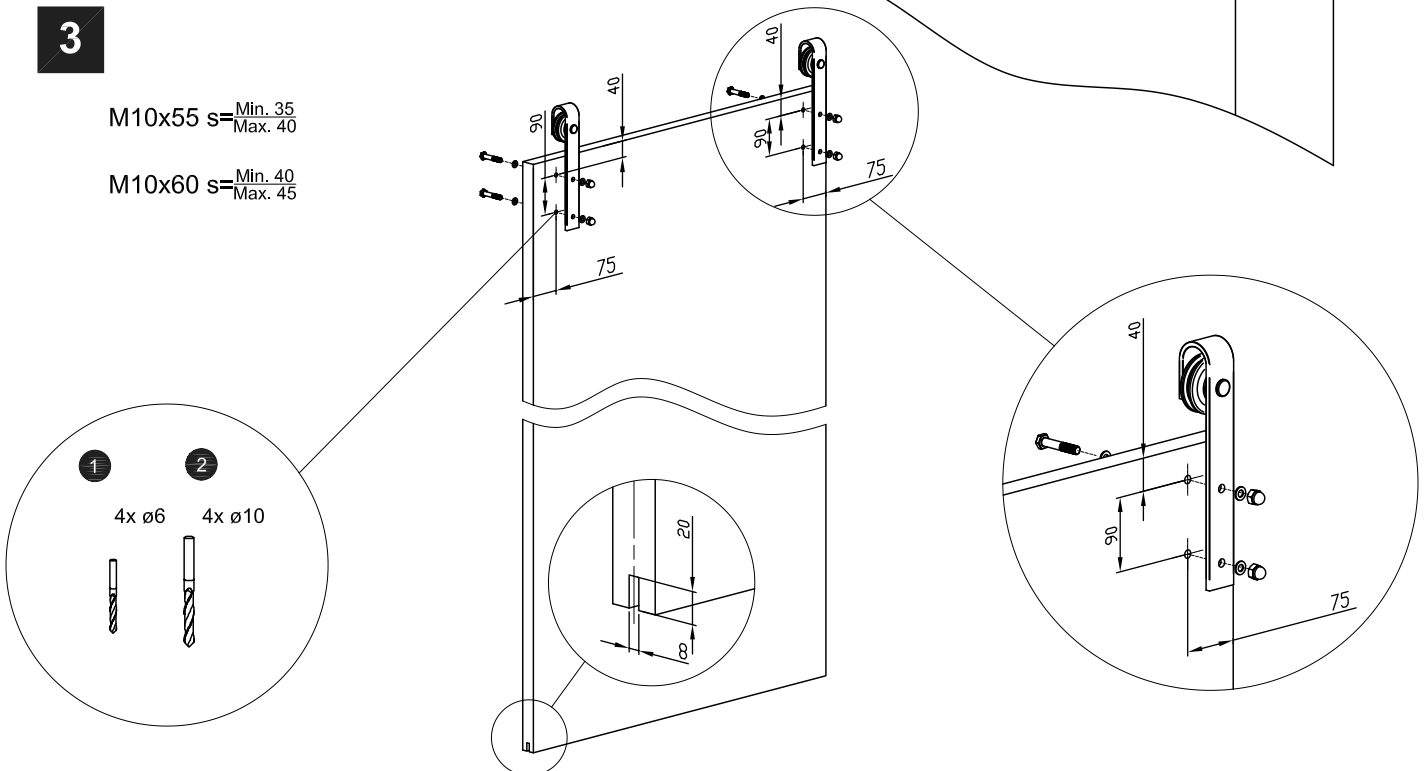
2.  $L_0 \leq 900$  mm



3

M10x55 s=Min. 35  
Max. 40

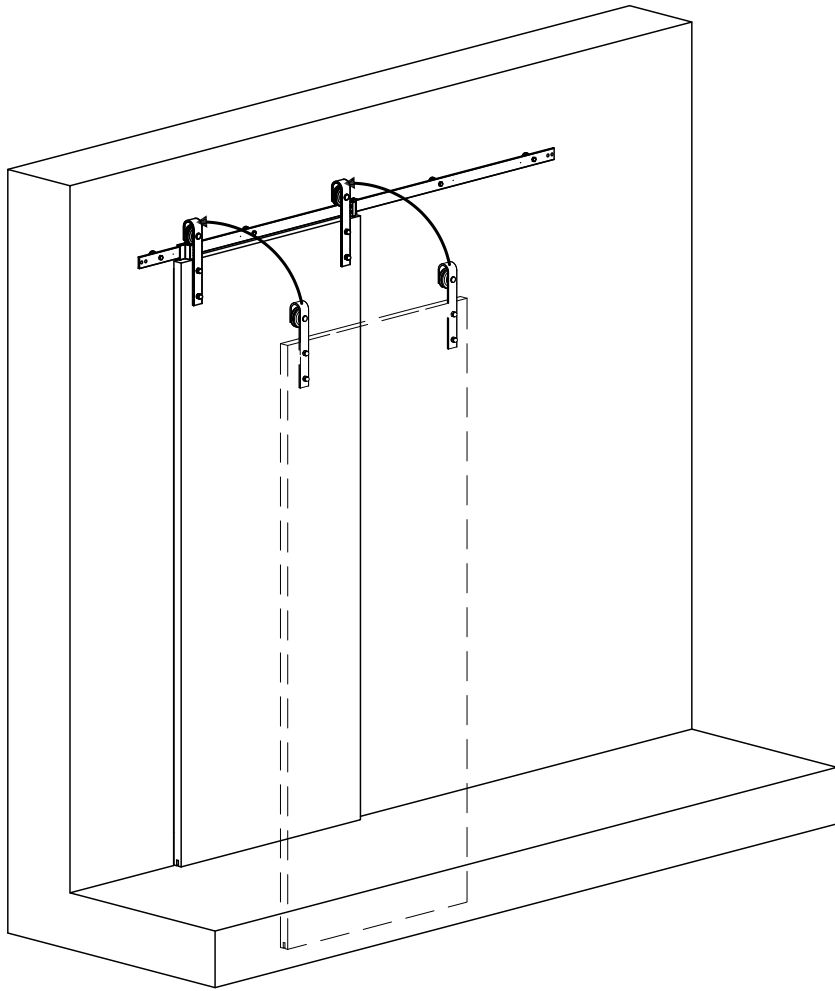
M10x60 s=Min. 40  
Max. 45



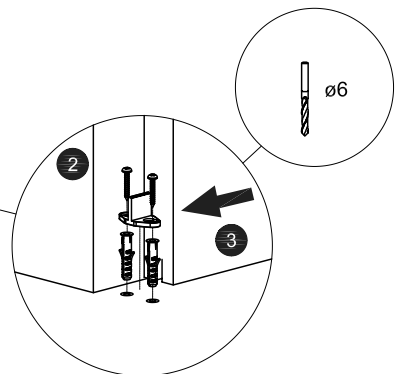
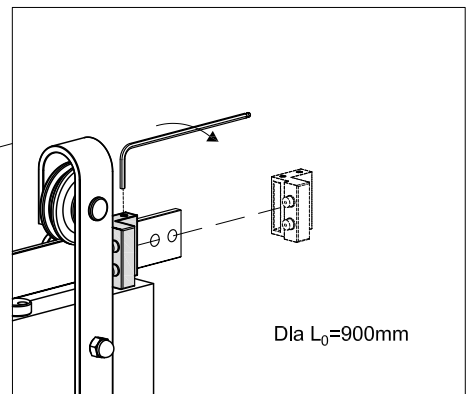
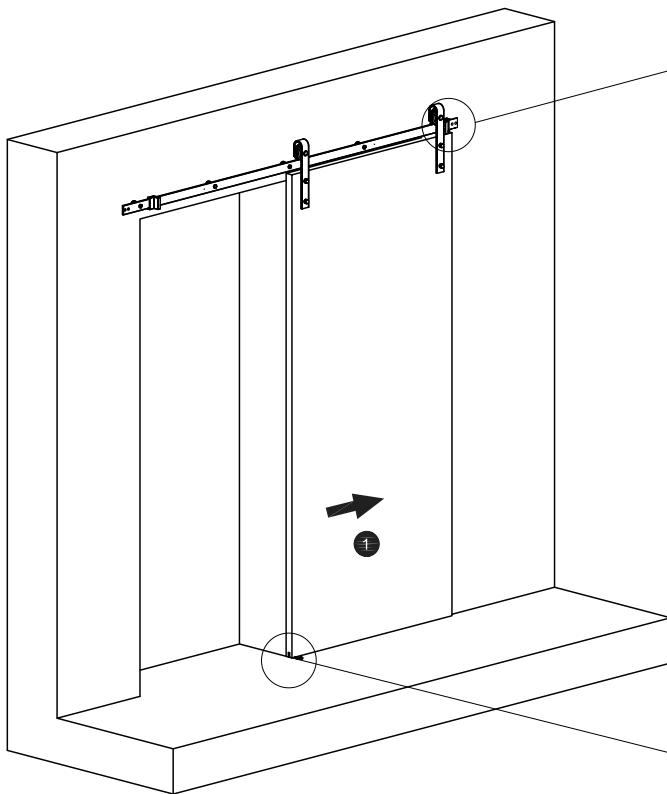
1 2  
4x  $\phi 6$  4x  $\phi 10$



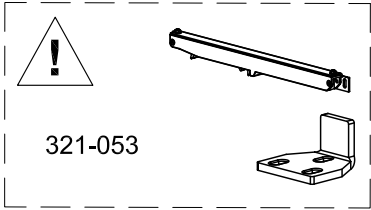
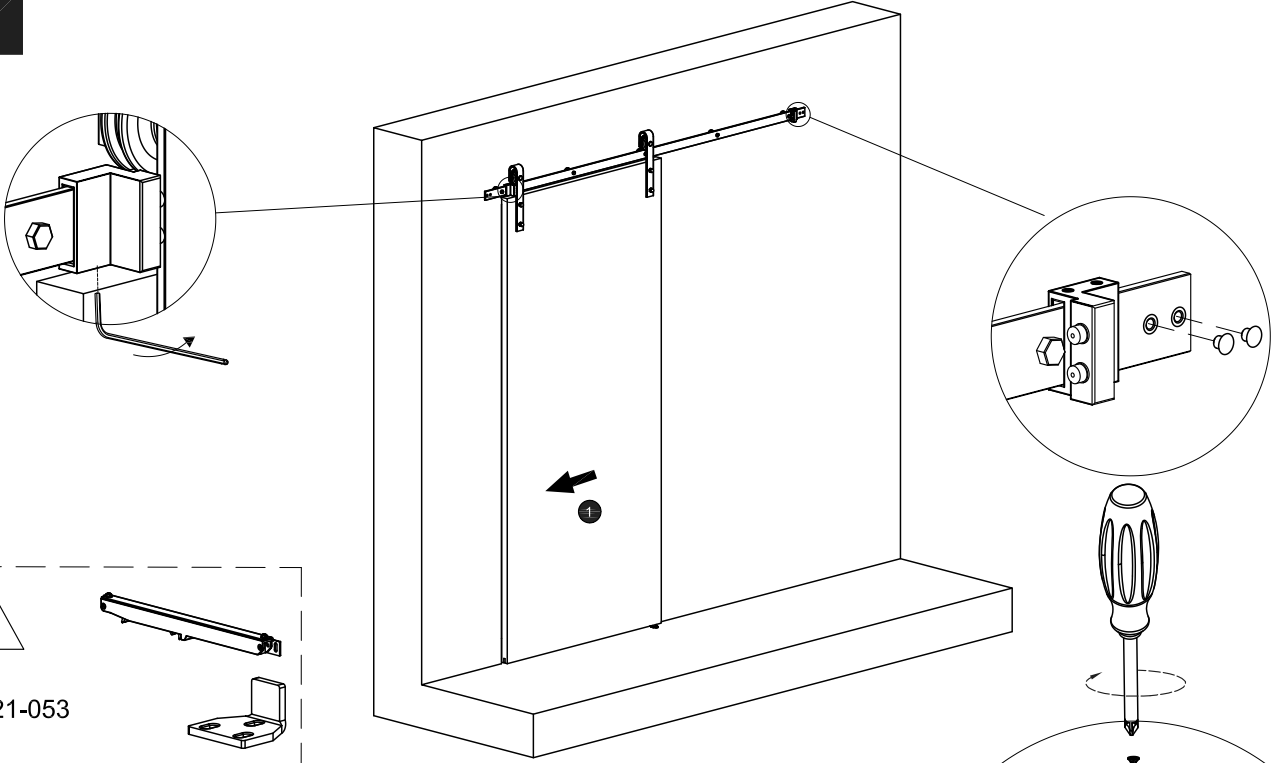
4



5



6



7

